

Model 3074-E1A  
24-bit Isolated Output Register  
INSTRUCTION MANUAL

February, 1987

© 1978, 1980, 1981, 1982, 1984, 1985, 1987  
Copyright by  
KineticSystems Corporation  
Lockport, Illinois  
All rights reserved

# 24-bit Isolated Output Register

Available with reed-relay, optical isolator or ac-switch outputs

3074

## Features

- 24 isolated output circuits (isolated from each other and ground)
- Reed relay, optical isolator, and ac switch options available
- Internal register can be written and read from the Dataway
- Front-panel LEDs indicate state of all outputs

## Typical Applications

- General-purpose digital interface
- Remote control applications

## General Description *(Product specifications and descriptions subject to change without notice.)*

The 3074 is a single-width module containing a 24-bit register that drives 24 output circuits. Module options are available with the output circuits composed of reed relays, optical isolators, or isolated ac switches. Each output option is available with a 50-contact ribbon connector or a 50-pin "D" connector; both connector options are front-panel mounted.

Twenty-four LEDs are provided on the front panel for monitoring the states of all output circuits. The optical isolators and ac switches are provided in sockets. Because of size limitations, sockets are not provided on the reed relay option.

For all options the maximum voltage, current, and (for the reed relay option) volt-ampere ratings must be observed. Appropriate external suppression must be provided for inductive loads.

## Function Codes

Command	Q	Action
F(0)·A(0) RD1	1	Reads the 24-bit Data Output register.
F(16)·A(0) WT1	1	Writes the 24-bit Data Output register.
Z CZ	0	Clears the 24-bit Data Output register.

**Note:** X = 1 for all valid addressed commands.

Since both read and write commands are provided, "selective set" and "selective clear" functions can be achieved by reading the register, performing the appropriate software sequence (logical AND, etc.), and then writing the module register.

## Output Ratings

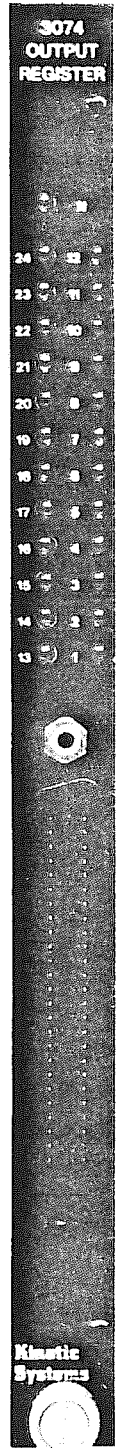
### Models 3074-A1A, E1A (reed relays)

Max. open circuit voltage: 100 volts  
Maximum current: 0.5 amperes  
Maximum switched load: 10 volt-amperes  
Output polarity: Either  
Contact bounce: 3 milliseconds

### Models 3074-A1B, E1B (optical isolators)

Max. open circuit voltage: 30 volts  
Maximum ON current: 10 milliamperes  
ON voltage drop: less than 1 volt  
OFF current: less than 1 microampere  
Output polarity: Collector positive with respect to emitter

(Even-numbered I/O contacts are positive, odd-numbered I/O contacts are negative.)

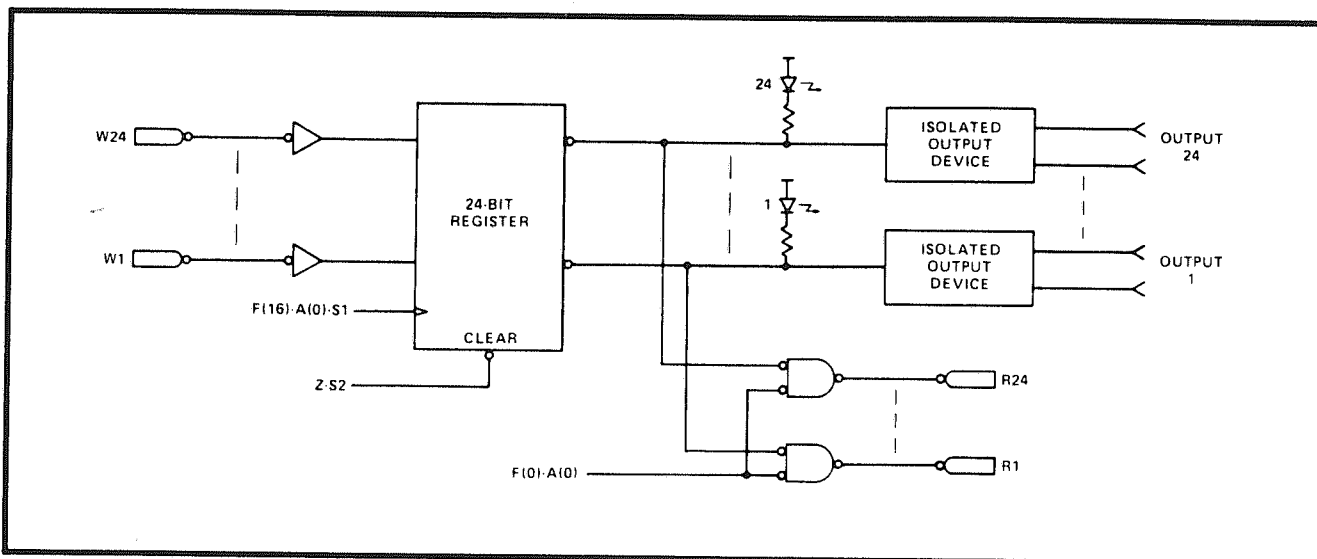


## Output Ratings (continued)

### Models 3074-A1C, E1C (optically isolated, zero voltage, turn-on ac switches)

Maximum open circuit voltage:	200 volts
Maximum ON current:	0.5 amperes, 47 to 70 hertz
Minimum ON current:	0.01 amperes
ON voltage drop:	less than 1.6 volts

## Simplified Block Diagram



## Power Requirements

### Model 3074-A1A, E1A

+6 volts: 780 mA

### All other options

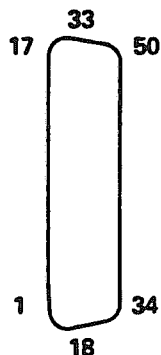
+6 volts: 680 mA

## Ordering Information

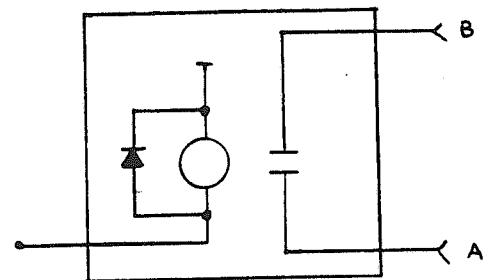
<b>Model 3074-A1A</b>	Isolated Output Register, 24 bits, with Reed Relays, 50S Amphenol Ribbon connector
<b>Model 3074-A1B</b>	Isolated Output Register, 24 bits, with Optical Isolated Relays, 50S Ribbon connector
<b>Model 3074-A1C</b>	Isolated Output Register, 24 bits, with Solid State Relays, 50S Ribbon connector
<b>Model 3074-E1A</b>	Isolated Output Register, 24 bits, with Reed Relays, 50P "D" connector
<b>Model 3074-E1B</b>	Isolated Output Register, 24 bits, with Optical Isolated Relays, 50P "D" connector
<b>Model 3074-E1C</b>	Isolated Output Register, 24 bits, with Solid State Relays, 50P "D" connector

## Related Products

For Model	Mating Connector	Termination Panel
3074-A1A, A1B, A1C	5950-Z1A	1850-A1D
3074-E1A, E1B, E1C	5934-Z1A	1850-E1D



FACE VIEW



Isolated Output Device

Pin/Wire List

50 PIN 'D'

PIN NO.

- 17 BIT #9 (A)
- 16 BIT #8 (B)
- 15 BIT #8 (A)
- 14 BIT #7 (B)
- 13 BIT #7 (A)
- 12 BIT #6 (B)
- 11 BIT #6 (A)
- 10 BIT #5 (B)
- 9 BIT #5 (A)
- 8 BIT #4 (B)
- 7 BIT #4 (A)
- 6 BIT #3 (B)
- 5 BIT #3 (A)
- 4 BIT #2 (B)
- 3 BIT #2 (A)
- 2 BIT #1 (B)
- 1 BIT #1 (A)

PIN NO.

- 33 BIT #17 (A)
- 32 BIT #16 (B)
- 31 BIT #16 (A)
- 30 BIT #15 (B)
- 29 BIT #15 (A)
- 28 BIT #14 (B)
- 27 BIT #14 (A)
- 26 BIT #13 (B)
- 25 BIT #13 (A)
- 24 BIT #12 (B)
- 23 BIT #12 (A)
- 22 BIT #11 (B)
- 21 BIT #11 (A)
- 20 BIT #10 (B)
- 19 BIT #10 (A)
- 18 BIT #9 (B)

PIN NO.

- 50
- 49
- 48 BIT #24 (B)
- 47 BIT #24 (A)
- 46 BIT #23 (B)
- 45 BIT #23 (A)
- 44 BIT #22 (B)
- 43 BIT #22 (A)
- 42 BIT #21 (B)
- 41 BIT #21 (A)
- 40 BIT #20 (B)
- 39 BIT #20 (A)
- 38 BIT #19 (B)
- 37 BIT #19 (A)
- 36 BIT #18 (B)
- 35 BIT #18 (A)
- 34 BIT #17 (B)

## WARRANTY

KineticSystems Company, LLC warrants its standard hardware products to be free of defects in workmanship and materials for a period of one year from the date of shipment to the original end user. Software products manufactured by KineticSystems are warranted to conform to the Software Product Description (SPD) applicable at the time of purchase for a period of ninety days from the date of shipment to the original end user. Products purchased for resale by KineticSystems carry the original equipment manufacturer's warranty.

KineticSystems will, at its option, either repair or replace products that prove to be defective in materials or workmanship during the warranty period.

Transportation charges for shipping products to KineticSystems shall be prepaid by the purchaser, while charges for returning the repaired warranty product to the purchaser, if located in the United States, shall be paid by KineticSystems. Return shipment will be made by UPS, where available, unless the purchaser requests a premium method of shipment at their expense. The selected carrier shall not be construed to be the agent of KineticSystems, nor will KineticSystems assume any liability in connection with the services provided by the carrier.

The product warranty may vary outside the United States and does not include shipping, customs clearance, or any other charges. Consult your local authorized representative or reseller for more information regarding specific warranty coverage and shipping details.

### **PRODUCT SPECIFICATIONS AND DESCRIPTIONS IN THIS DOCUMENT SUBJECT TO CHANGE WITHOUT NOTICE.**

KINETICSYSTEMS SPECIFICALLY MAKES NO WARRANTY OF MERCHANTABILITY OR FITNESS FOR A PARTICULAR PURPOSE OR ANY OTHER WARRANTY EITHER EXPRESSED OR IMPLIED, EXCEPT AS IS EXPRESSLY SET FORTH HEREIN. PRODUCT FAILURES CREATED BY UNAUTHORIZED MODIFICATIONS, PRODUCT MISUSE, OR IMPROPER INSTALLATION ARE NOT COVERED BY THIS WARRANTY.

THE WARRANTIES PROVIDED HEREIN ARE THE PURCHASER'S SOLE AND EXCLUSIVE REMEDIES ON ANY CLAIM OF ANY KIND FOR ANY LOSS OR DAMAGE ARISING OUT OF, CONNECTED WITH, OR RESULTING FROM THE USE, PERFORMANCE OR BREACH THEREOF, OR FROM THE DESIGN, MANUFACTURE, SALE, DELIVERY, RESALE, OR REPAIR OR USE OF ANY PRODUCTS COVERED OR FURNISHED BY KINETICSYSTEMS INCLUDING BUT NOT LIMITED TO ANY CLAIM OF NEGLIGENCE OR OTHER TORTIOUS BREACH, SHALL BE THE REPAIR OR REPLACEMENT, FOB FACTORY, AS KINETICSYSTEMS MAY ELECT, OF THE PRODUCT OR PART THEREOF GIVING RISE TO SUCH CLAIM, EXCEPT THAT KINETICSYSTEMS' LIABILITY FOR SUCH REPAIR OR REPLACEMENT SHALL IN NO EVENT EXCEED THE CONTRACT PRICE ALLOCABLE TO THE PRODUCTS OR PART THEREOF WHICH GIVES RISE TO THE CLAIM. IN NO EVENT SHALL KINETICSYSTEMS BE LIABLE FOR DIRECT, INDIRECT, SPECIAL, INCIDENTAL, OR CONSEQUENTIAL DAMAGES, INCLUDING LOSS OF PROFITS.

Products will not be accepted for credit or exchange without the prior written approval of KineticSystems. If it is necessary to return a product for repair, replacement or exchange, a Return Authorization (RA) Number must first be obtained from the Repair Service Center prior to shipping the product to KineticSystems. The following steps should be taken before returning any product:

1. Contact KineticSystems and discuss the problem with a Technical Service Engineer.
2. Obtain a Return Authorization (RA) Number.
3. Initiate a purchase order for the estimated repair charge if the product is out of warranty.
4. Include a description of the problem and your technical contact person with the product.
5. Ship the product prepaid with the RA Number marked on the outside of the package to:

KineticSystems Company, LLC  
Repair Service Center  
900 North State Street  
Lockport, IL 60441

Telephone: (815) 838-0005  
Facsimile: (815) 838-4424  
Email: tech-serv@kscorp.com