

Model 3076-A1B
16-bit Output Register w/Relay Contacts
INSTRUCTION MANUAL

August, 1990

(C) 1979, 1980, 1982, 1983, 1986, 1987, 1990
Copyright by
KineticSystems Corporation
Lockport, Illinois
All rights reserved

Model 3076-ALB

TABLE OF CONTENTS

<u>Item</u>	<u>Page</u>
Features and Applications	1
General Description	1
Function Codes	1
Output Ratings	1
Simplified Block Diagram	2
Power Requirements	2
Ordering Information	2
Inhibit Option	3
Software Consideration	3
3076-ALB Connector Pinout	4
Warranty	5
Schematic Drawing #022124-D-3434	Insert

16-bit Output Register with Relay Contacts

Provides form "C" relay outputs with 2 Ampere maximum rating

3076

Features

- 16 isolated break-before-make (Form "C") relay contact outputs
- Contact rating of 2A at 30 VDC or 1A at 125 VAC (125 VA maximum)
- Internal register can be written and read from the Dataway

Typical Application

- Remote control

General Description

The 3076 is a double-width module containing a 16-bit register for holding binary data. This register drives 16 break-before-make (Form "C") relays. The outputs appear on a 50-contact ribbon or 50-pin "D" connector. The 3076 also features a strap-selectable Inhibit feature that, when asserted, prevents the relays from energizing while the Dataway Inhibit signal is asserted.

Each output circuit is also monitored by a front-panel LED so that the pattern of operated circuits can be readily determined.

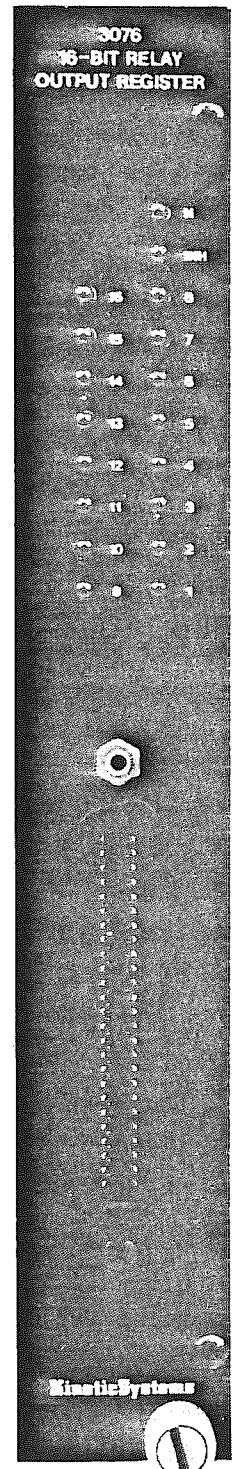
Function Codes

Command	Q	Action
F(0):A(0) RD1	1	Reads the 16-bit Data Output register.
F(16):A(0) WT1	1	Writes the 16-bit Data Output register.
Z CZ	0	Clears the 16-bit Data Output register.

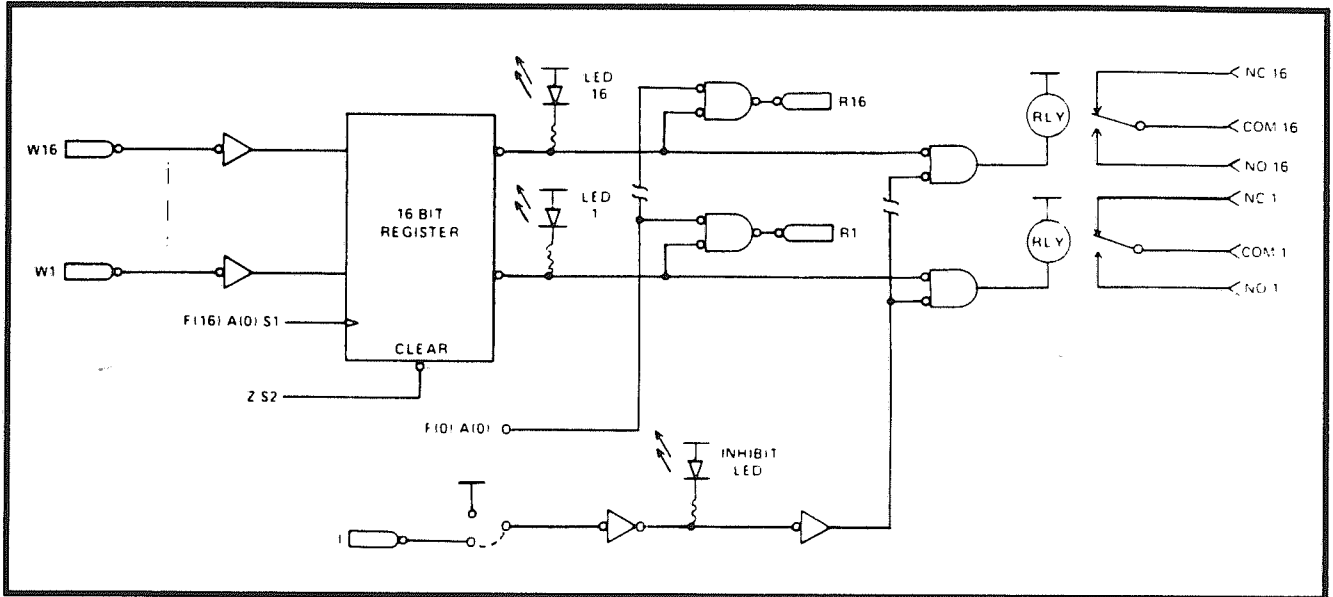
Note: X = 1 for all valid addressed commands.

Output Ratings

Maximum open circuit voltage: 120 VAC, 30 VDC
Maximum current: 2.0 amperes
Maximum switched load: 125 volt-amperes



Simplified Block Diagram



Power Requirements

- +24 volts: 300 mA (maximum)
- +6 volts: 300 mA

Ordering Information

- Model 3076-A1B** Relay Output Register, form "C" contacts, 16 bits, 50S Ribbon connector
- Model 3076-E1B** Relay Output Register, form "C" contacts, 16 bits, 50P "D" connector

Related Products

For Model	Mating Connector	Termination Panel
3076-A1A	5950-Z1A	1850-A1D
3076-E1A	5934-Z1A	1850-E1D

INHIBIT OPTION

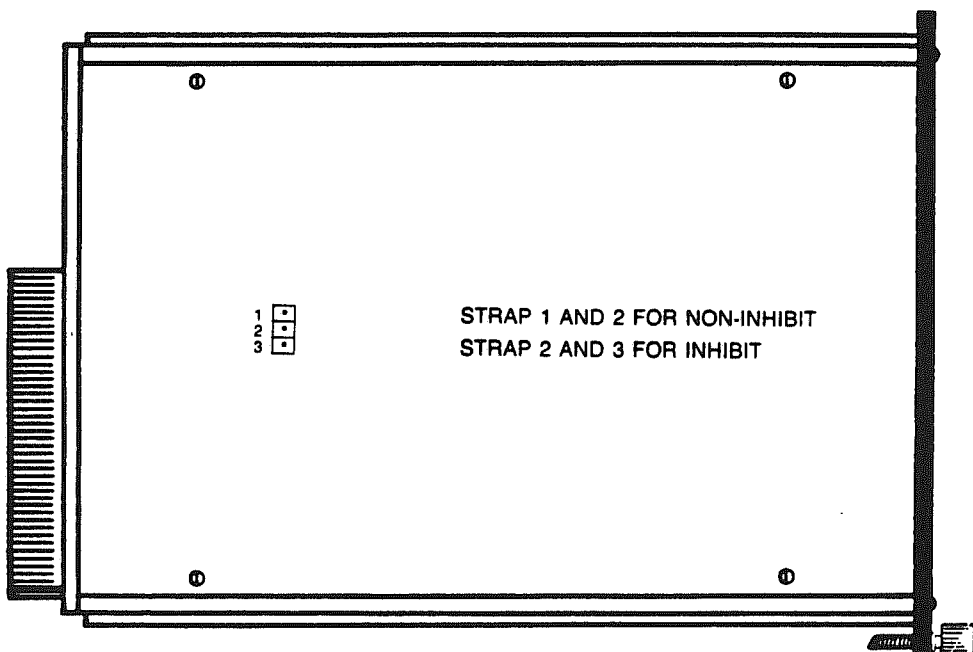
The Model 3076-A1B and the Model 3076-E1B feature a strap selectable Inhibit line. This option allows the user to strap the module to work in either the Inhibit or Non-Inhibit modes of operation.

In the Inhibit mode, the 3076's relays will be prevented from energizing as long as the CAMAC Inhibit signal is true. The Inhibit LED on the front panel, labeled INH, will reflect the status of the Inhibit line.

In the Non-Inhibit mode, the CAMAC signal Inhibit will have no effect on the status of the relays. In this case, the INH LED on the front panel will not indicate the status of the Dataway Inhibit line.

The module is factory configured to the Non-Inhibit mode of operation.

The location of the strap is shown in the following diagram:



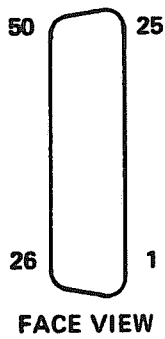
To select the Inhibit mode, the strap must be positioned to jumper pins 2 and 3.

To select the Non-Inhibit mode, the strap must be positioned to jumper pins 1 and 2.

SOFTWARE CONSIDERATION

Since both Read and Write commands are provided, "Selective Set" and "Selective Clear" operations may be obtained by reading the register, performing the appropriate logical software sequence (i.e., AND, OR, etc.), and then writing the module register.

Model
3076-A1B



Socket/Wire List

50 SOCKET RIBBON CONN.

NO = Normally Open
NC = Normally Closed
COM = Common

SOCKET NO.

50	_____
49	NO - 16
48	NC - 16
47	NO - 15
46	NO - 14
45	NC - 14
44	NO - 13
43	NO - 12
42	NC - 12
41	NO - 11
40	NO - 10
39	NC - 10
38	NO - 9
37	NO - 8
36	NC - 8
35	NO - 7
34	NO - 6
33	NC - 6
32	NO - 5
31	NO - 4
30	NC - 4
29	NO - 3
28	NO - 2
27	NC - 2
26	NO - 1

SOCKET NO.

25	_____
24	COM - 16
23	NC - 15
22	COM - 15
21	COM - 14
20	NC - 13
19	COM - 13
18	COM - 12
17	NC - 11
16	COM - 11
15	COM - 10
14	NC - 9
13	COM - 9
12	COM - 8
11	NC - 7
10	COM - 7
9	COM - 6
8	NC - 5
7	COM - 5
6	COM - 4
5	NC - 3
4	COM - 3
3	COM - 2
2	NC - 1
1	COM - 1