

Model 3461  
Manual Input Gates  
**INSTRUCTION MANUAL**

February, 1987

©1977, 1980, 1981, 1982, 1987  
Copyright by  
KineticSystems Corporation  
Lockport, Illinois  
All rights reserved

Model 3461

TABLE OF CONTENTS

<u>Item</u>	<u>Page</u>
Features and Application . . . . .	1
General Description . . . . .	1
Interrupt Capabilities. . . . .	1
Front Panel . . . . .	1
Function Codes . . . . .	1
Simplified Block Diagram. . . . .	2
Power Requirements. . . . .	2
Ordering Information. . . . .	2
Warranty . . . . .	3
Schematic Drawing #02272-D-665. . . . .	Insert

# KineticSystems Corporation

Standardized Data Acquisition and Control Systems

3461,62

## Manual Input Gates

©1977, 1987  
(Rev. Feb. 87)

### FEATURES

- Manual LAM source switch
- 24 switches for binary input (3461)
- Six thumbwheel switches for BCD input (3462)

### APPLICATIONS

- Hardware/software development
- System maintenance
- Manual data input with interrupt capability

### GENERAL DESCRIPTION

The Models 3461 and 3462 manual input gate modules provide a means for entering data into a CAMAC system via front-panel switches.

The 3461 is a single-width CAMAC module containing 24 switches to allow input in a binary pattern. Color-coded switch handle covers separate the input in octal representation and can be move to represent hexadecimal digits. This module can be used for manual data input, to aid hardware/software development, or for system maintenance.

The 3462 is a double-width CAMAC module with six thumbwheel switches providing input in six BCD digits. It is primarily used for conveniently entering data into a CAMAC system.

### INTERRUPT CAPABILITIES

A LAM status is set by a front-panel, spring-return switch and cleared by a Read command.

### FRONT PANEL

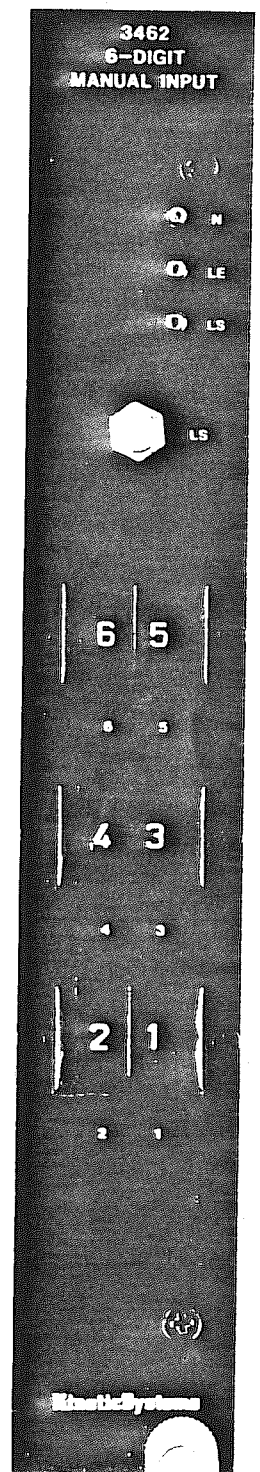
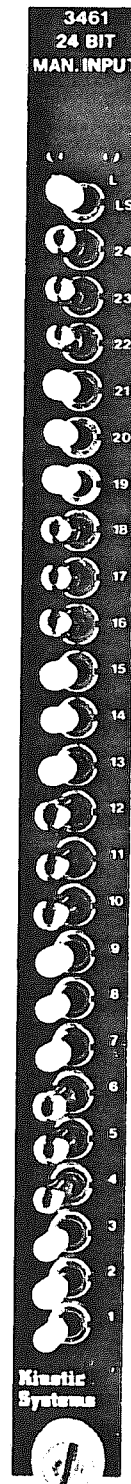
#### LED Indicators

N	Flashes when the module is addressed.
L	On when the L signal is true.

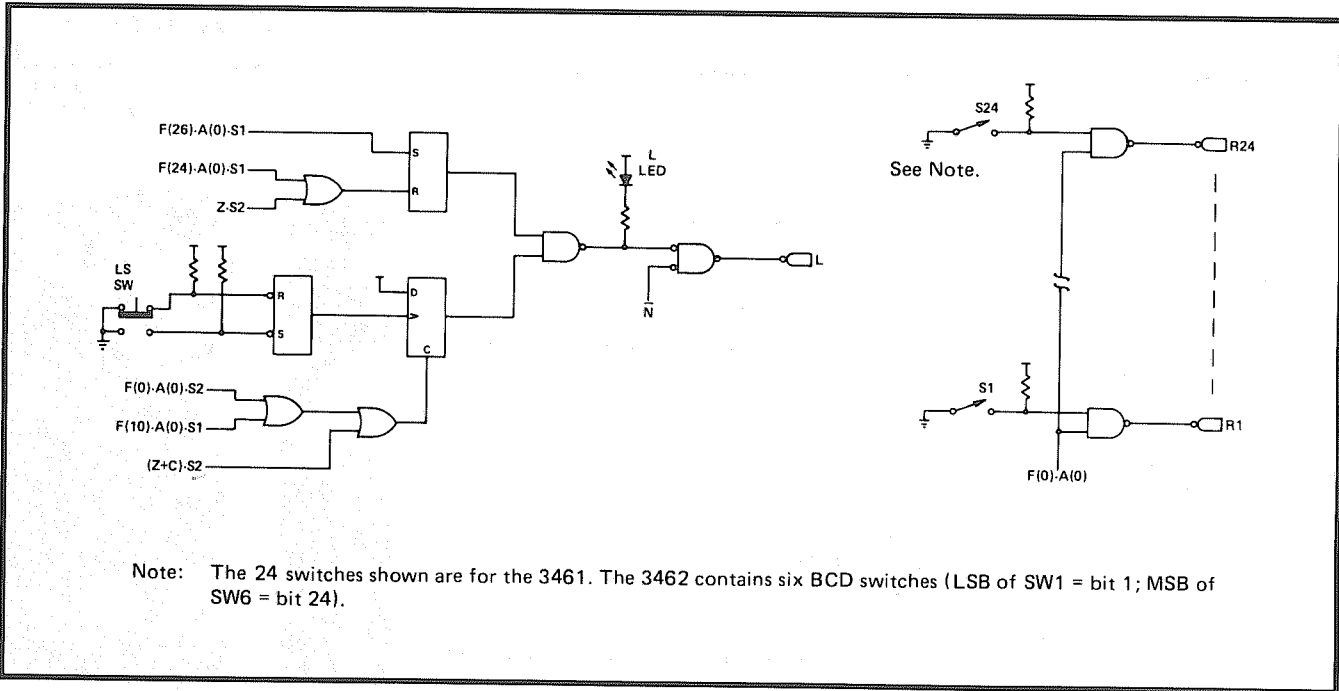
### FUNCTION CODES

Command	Q	Action
F(0)·A(0) RD1	1	Reads the front-panel switches and clears the LAM status.
F(1)·A(15) RD2	1	Reads the module identifying number. (See Note 2.)
F(8)·A(15) TLM	LR	Tests whether the LAM request is present.
F(10)·A(0) CLM	1	Clears the LAM status.
F(24)·A(0) DIS	1	Disables the LAM request.
F(26)·A(0) ENB	1	Enables the LAM request.
F(27)·A(0) TST	LS	Tests whether the LAM status is set.
C CC	0	Clears the LAM status.
Z CZ	0	Clears the LAM status and disables the LAM request.

Notes: 1. X = 1 for all valid addressed commands.  
2. Data read: 3461 = 6605<sub>8</sub> or 3462 = 6606<sub>8</sub>.



**SIMPLIFIED BLOCK DIAGRAM**



**BCD INPUT CODING (3462 only)**

Switch	BCD	Read Line	Switch	BCD	Read Line	Switch	BCD	Read Line
6	8	24	4	8	16	2	8	8
	4	23		4	15		4	7
	2	22		2	14		2	6
	1	21		1	13		1	5
5	8	20	3	8	12	1	8	4
	4	19		4	11		4	3
	2	18		2	10		2	2
	1	17		1	9		1	1

**POWER REQUIREMENTS**

Models 3461, 3462 — +6 volts — 200 mA

**ORDERING INFORMATION**

- Model 3461-Z1A — 24-bit Manual Input Gate
- Model 3462-Z1A — 6-digit Manual Input Gate
- Accessories — None

Weight: .60 kg. (1 lb. 5 oz.)  
 Weight: .58 kg. (1 lb. 4 oz.)