

Model 3472

48-Bit Input Gate

INSTRUCTION MANUAL

January, 1988

© 1977, 1978, 1980, 1987, 1988

Copyright by
KineticSystems Corporation
Lockport, Illinois
All rights reserved

*** Special Option ***

Model 3472-S002

Model 3472-S002

**** Special Option ****

Model 3472-S002

The Model 3472-S002 is a 3472-A1A modified for a switching threshold of 4.5 volts. It will handle a maximum input voltage of 12 volts.

*** Special Option ***

Model 3472-S003

48-Bit Input Gate

December, 1987

©1977, 1978, 1980, 1987
Copyright by
KineticSystems Corporation
Lockport, Illinois
All rights reserved

Page 1S of 2

Model 3472-S003

*** Special Option ***

Model 3472-S003

48-Bit Input Gate

The Model 3472-S003 is the same as the Model 3472-A1A except the front panel connector has been modified with a 50 contact "D" connector.

MLH:rem(3000Ser.10)
12/3/87

TABLE OF CONTENTS

<u>Item</u>	<u>Page</u>
Features and Applications	1
General Description	1
Input Circuits	1
Connector Options	1
Function Codes	1
Simplified Block Diagram	2
Power Requirements	2
Ordering Information	2
I/O Connector Wiring for 50-Contact Ribbon Connector	3
I/O Connector Wiring for 52-Contact "DD" Connector	4
Warranty	5
Schematic Drawing #02249-D-289	Insert

48-bit Input Gate

Provides 48 bits of TTL input monitoring

3472

Features

- 48-bit input gate
- Options available for contact monitoring as well as TTL input levels

Typical Applications

- General-purpose data input applications
- Monitoring TTL signals
- Monitoring contact closures

General Description *(Product specifications and descriptions subject to change without notice.)*

The 3472 is a single-width CAMAC module with an input gate for receiving 48 bits of data from external devices. The current states of the input devices is read via two read commands. The F(0)·A(0) command reads the states of one group of 24 bits (Group A), and the F(0)·A(1) command reads the states of the other 24 bits (Group B).

Input Circuits

Two input circuit options are provided: contact and TTL. The contact option monitors switch and relay contacts. Each bit has an input circuit with an open circuit voltage of 16 volts and a short circuit current of 3.5 milliamperes. The switching threshold is approximately +10 volts. The input is filtered with a one millisecond time constant to reduce noise. A closed contact in the external circuit is read as a "1". This provides contact "wetting" current as well as a high noise threshold. For the TTL option, input signals are TTL level with internal 2200 ohm pull-up resistors to +5 volts. The TTL input signals are low-true.

Connector Options

Two connector options are provided. All I/O signals are wired either to a 50-contact Amphenol ribbon connector on the front panel or to a 52-pin "2D" connector on the rear panel.

Function Codes

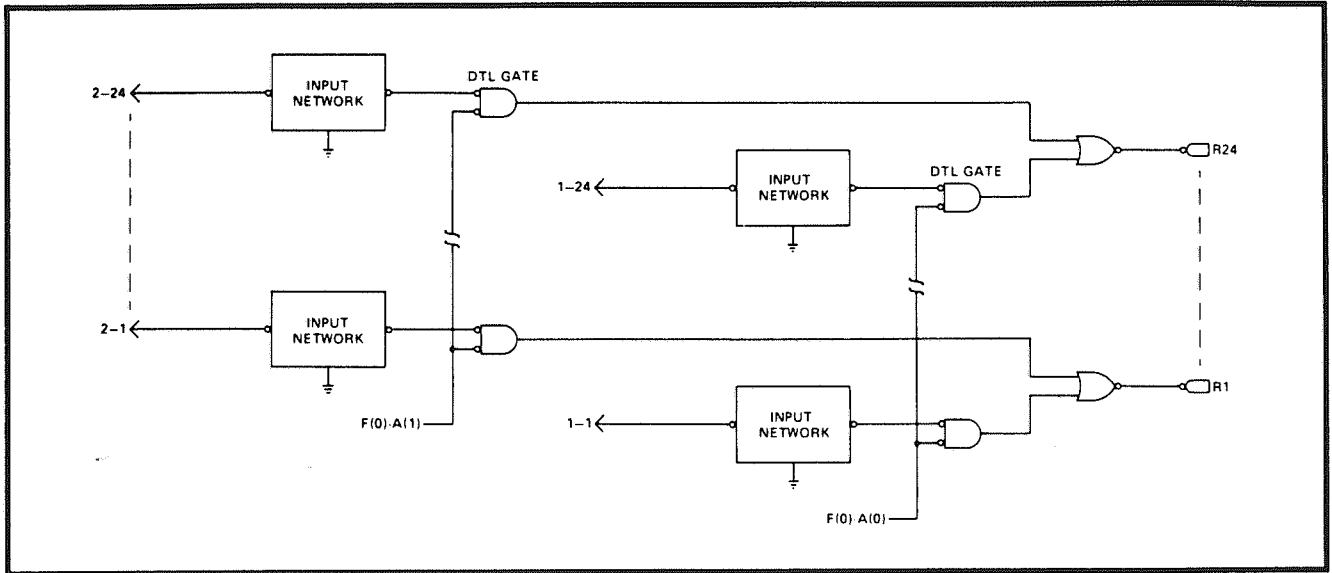
Command	Q	Action
F(0)·A(0) RD1	1	Reads the state of the Group A data input.
F(0)·A(1) RD1	1	Reads the state of the Group B data input.
F(1)·A(15) RD2	1	Reads the module identifying number (3472 = 6620 ₈).

Note: X = 1 for all valid addressed commands.

3472
INPUT
GATE

Kinetic
Systems

Simplified Block Diagram



Power Requirements

Model 3472-A1A, F1A

- +6 volts: 350 mA
- +24 volts: 170 mA
- 24 volts: 30 mA

Model 3472-A1B, F1B

- +6 volts: 600 mA

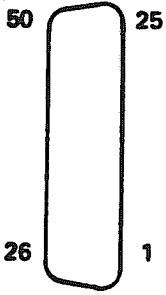
Ordering Information

- Model 3472-A1A Input Gate, contact input, 48 bits, 50S Amphenol Ribbon connector
- Model 3472-A1B Input Gate, TTL input, 48 bits, 50S Amphenol Ribbon connector
- Model 3472-F1A Input Gate, contact input, 48 bits, 52P "2D" connector
- Model 3472-F1B Input Gate, TTL input, 48 bits, 52P "2D" connector

Related Products

For Model	Mating Connector	I/O Cable (one end unterminated)
3472-A1A, A1B	5950-Z1A	5853-Axyz
3472-F1A, F1B	5942-Z1A	5850-Bxyz

Model 3472



FACE VIEW

Socket/Wire List

50 SOCKET RIBBON CONN.

Model 3472-A1A/A1B

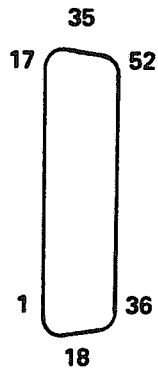
SOCKET NO.

50	Ground
49	Bit 2-24
48	2-23
47	2-22
46	2-21
45	2-20
44	2-19
43	2-18
42	2-17
41	2-16
40	2-15
39	2-14
38	2-13
37	2-12
36	2-11
35	2-10
34	2-9
33	2-8
32	2-7
31	2-6
30	2-5
29	2-4
28	2-3
27	2-2
26	2-1

SOCKET NO.

25	Ground
24	Bit 1-24
23	1-23
22	1-22
21	1-21
20	1-20
19	1-19
18	1-18
17	1-17
16	1-16
15	1-15
14	1-14
13	1-13
12	1-12
11	1-11
10	1-10
9	1-9
8	1-8
7	1-7
6	1-6
5	1-5
4	1-4
3	1-3
2	1-2
1	1-1

Model 3472



FACE VIEW

Model 3472-F1A, -F1B

Pin/Wire List

52 PIN 'DD'

<u>PIN NO.</u>		<u>PIN NO.</u>		<u>PIN NO.</u>	
17	1-17	35	2-11	52	Ground
16	1-16	34	2-10	51	Ground
15	1-15	33	2-9	50	Ground
14	1-14	32	2-8	49	Ground
13	1-13	31	2-7	48	2-24
12	1-12	30	2-6	47	2-23
11	1-11	29	2-5	46	2-22
10	1-10	28	2-4	45	2-21
9	1-9	27	2-3	44	2-20
8	1-8	26	2-2	43	2-19
7	1-7	25	2-1	42	2-18
6	1-6	24	1-24	41	2-17
5	1-5	23	1-23	40	2-16
4	1-4	22	1-22	39	2-15
3	1-3	21	1-21	38	2-14
2	1-2	20	1-20	37	2-13
1	Bit 1-1	19	1-19	36	2-12
		18	Bit 1-18		